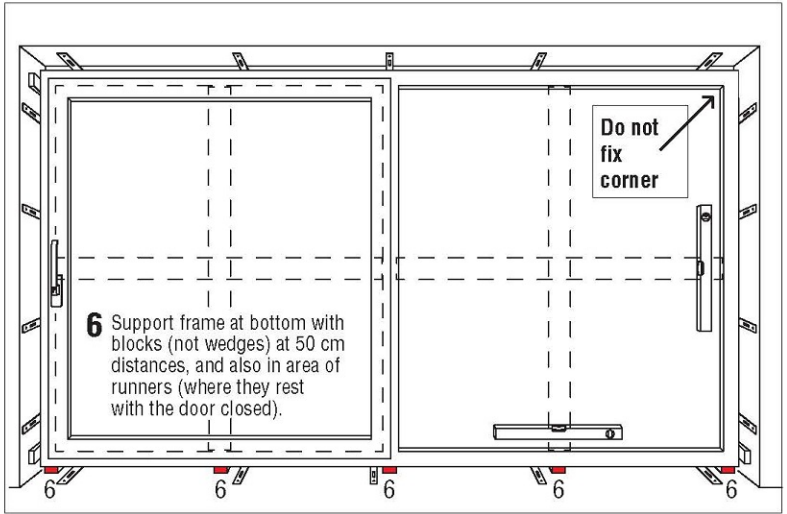
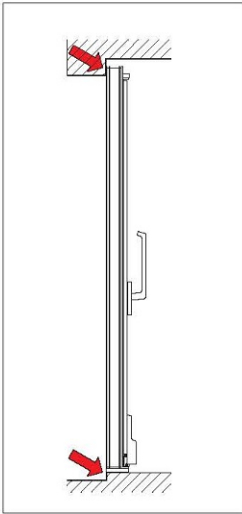


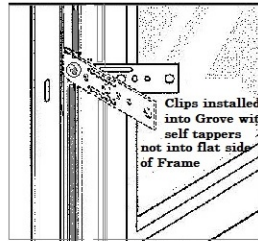
Installation GUIDE

Polytech Tilt and Slide door Installation tips



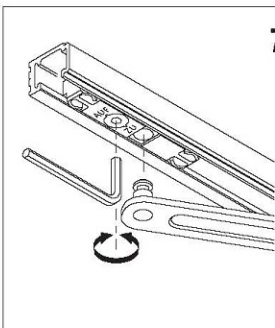
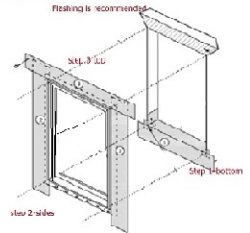
- 1** Place unit in door Frame in closed condition (= handle in upright position).
- 2** Adjust frame with level in horizontal and vertical direction. Fix with wedges o sides.
- 3** Open door and check it for correct running; if necessary, adjust by displacing the wedges.

- 4** Make sure the door is bumped up in Rough opening for the door track (finished materials must be below track on the door a Min of 3/4" Door needs 3/8 clearance over finished floor



installation clips go in the groove not on flat frame

- 5** Fasten Frame to Building with Brickmold/Nail flange & installation clips If removing sash-from the frame-open sash completely -Put door in slide position

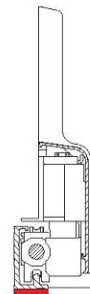


- 7 Inserting the sliding sash:**
Place sash on running rail in tilt position (= turn handle in horizontal position); insert stay arm pin in glider and fix with 4 mm Allen key.
Pull on stay arm with force to ensure that it is safely fixed.

Removing the sliding sash:
Put sash in tilt position (handle in horizontal position). Disconnect stay arm with 4 mm Allen key.

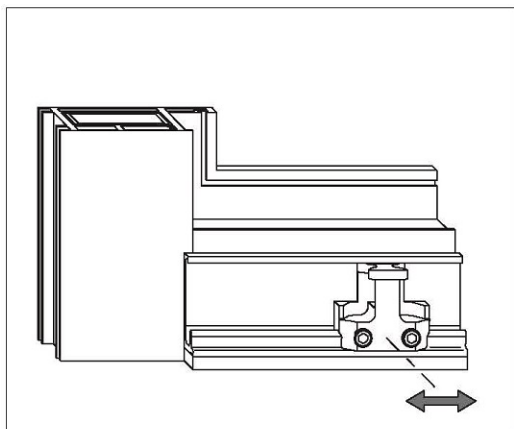
- 8** Running rail must be supported over its total length (mind thickness of flooring).

Bottom edge of running rail = max. finished floor level)



FFL

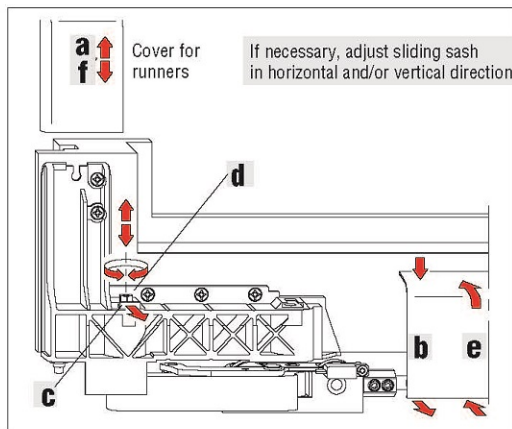
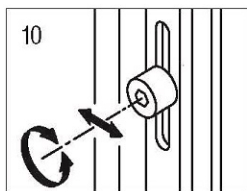
Adjustment Operation and maintenance



9 The rebate clearance between frame and sliding sash must be equal on bottom right and left side.

10 Adjusting the gasket pressure: Turn locking pin by 180° at the max. (+/- 1 mm) with 4 mm Allen key.

If necessary, loosen control piece (4 mm Allen key); shift and retighten it firmly.



11 The rebate clearance must always be equal at the top and on the sides.

a Remove end caps from both runners.

b Remove cover rail: push down in the middle of each runner and pull off towards the front.

c Pull out safety slider to the front. The set screw is now released for adjustments.

If necessary, adjust sliding sash in horizontal and/or vertical direction

d Vertical runner adjustment (rebate clearance):
 – screw to the right = lift (+ 4 mm)
 – screw to the left = lower (- 1 mm)
 Push back safety slider c, set screw is secured again.

e Mount cover rail: Position at the bottom and push against sash

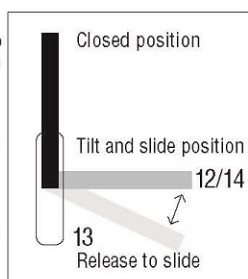
f Slide covers back on runners.

Handle operation

12 **Tilt position:** Turn handle from vertical to horizontal position: the sash slides out from closed position.

13 **Releasing the sliding sash:** A soft pressure on the handle

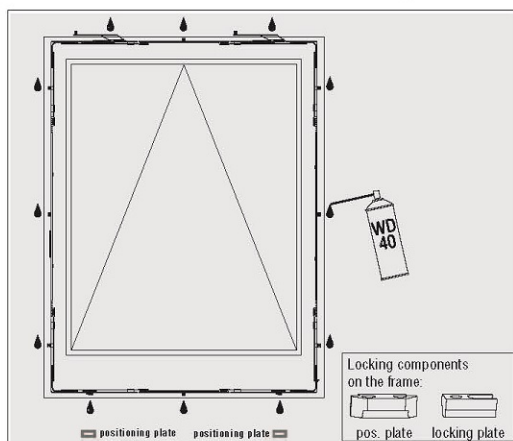
a ... downwards releases the sash for sliding



14 **CLOSED POSITION:**
b Make sure when closing the bottom locks are secure into the tilt position before moving the handle upright to lock

14 **Sliding position:** With sliding sash, the handle must be in horizontal position; do not push upwards or downwards.

Maintenance and care of sliding sash fittings:



15 In order to maintain the gliding ability of all movable locking points, lubricate them with acid- and resin-free lubricants (corrosion protection). Grease all locking and positioning plates.

Advice: To provide for correct hardware functioning over a long period of time, it is necessary that the user should carry out the maintenance jobs on the sliding sash at least once a year.