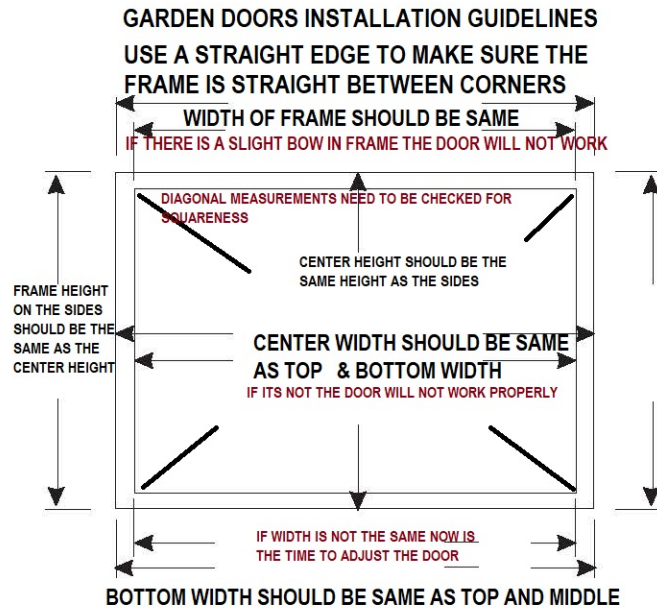
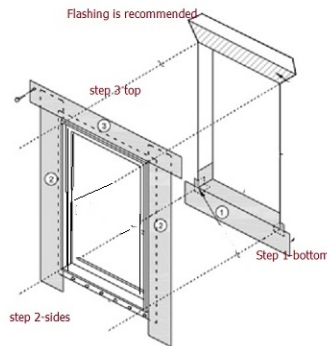
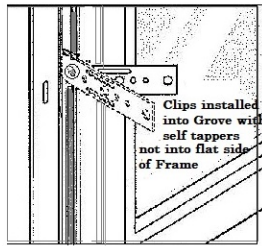


Polytech Products Ltd.

**POLYTECH PRODUCTS INSTALLATION FOR NO POST GARDEN DOORS & WINDOWS
POLYTECH PRODUCTS MUST BE INSTALLED LEVEL, PLUMB AND SQUARE IN THE OPENING.
IMPROPER INSTALLATION IS THE GREATEST CAUSE OF MALFUNCTION FOR THE NO POST DOORS.**



**NOTE: A STRAIGHT EDGE SHOULD BE USED WHEN INSTALLING DOOR FRAMES TO BE SURE FRAME IS STRAIGHT BETWEEN CORNERS.
ALSO DIAGONAL MEASUREMENTS SHOULD BE EQUAL TO CHECK SQUARENESS.**

1. CHECK MEASUREMENTS.
2. REMOVE SCREEN AND SASH AS THIS WILL MAKE UNIT LIGHTER AND EASIER TO INSTALL.
3. SHIM DOOR AT LOWER CORNERS (IF NECESSARY) CENTRE FRAME IN ROUGH OPENING FOR INSULATING PURPOSES, FRAME SHOULD BE LEVEL AND PLUMB 3/4" CLEARANCE FOR ROUGH OPENING IS RECOMMENDED, 3/8" ALL AROUND.
4. FASTEN FRAME TO BUILDING WITH NAILS OR SCREWS. IF USING NAILS, NAILS SHOULD HAVE LARGE HEAD (ROOFING NAILS) SO THEY WILL NOT PULL THROUGH SLOTS IN NAIL FLANGE. PALM NAILER IS RECOMMENDED
5. AS YOU ARE INSTALLING CHECK DOOR FRAME TO MAKE SURE IT IS LEVEL, PLUMB AND SQUARE. BOTH SIDES OF DOOR FRAME HEIGHT SHOULD BE THE SAME MEASUREMENT AS THE CENTRE HEIGHT OF DOOR FRAME. DOOR TOP AND BOTTOM WIDTH SHOULD BE SAME WIDTH AS CENTRE WIDTH OF DOOR. IF THERE IS A BOW IN THE FRAME THE DOOR WILL NOT WORK PROPERLY.
6. IF DOOR FRAME IS LEVEL, PLUMB AND SQUARE FINISH INSTALLING FRAME AND REINSTALL SASH.
7. CHECK DOOR IN ALL POSITIONS (LOCKED, SWING AND TILT) IF SASH DOES NOT OPERATE PROPERLY DOOR MAY NOT BE INSTALLED PROPERLY.
8. AFTER INSTALLATION IS COMPLETE AND HOUSE CONSTRUCTION IS FINISHED CLEAN ALL DUST (DRY WALL) OFF DOOR PAYING ATTENTION TO HARDWARE ON THE SASH, ESPECIALLY THE TOP OF THE SASH WHERE DUST CAN LAY.
9. LUBRICATE SASH HARDWARE ANNUALLY WITH A LIGHT OIL AND LITHIUM GREASE.
10. POLYTECH PRODUCTS IS NOT RESPONSIBLE FOR DOOR NOT OPERATING PROPERLY IF IT IS AN INSTALLATION PROBLEM (INSTALLER WOULD BE RESPONSIBLE). **IF THERE IS A BOW IN THE DOOR FRAME WITHIN 1/8" THE DOOR CANNOT OPERATE PROPERLY**
11. ATTENTION: POLYTECH PRODUCTS LTD. WILL NOT WARRANTY OR SERVICE ANY NO POST PRODUCT IF NOT INSTALLED LEVEL, PLUMB AND SQUARE.